



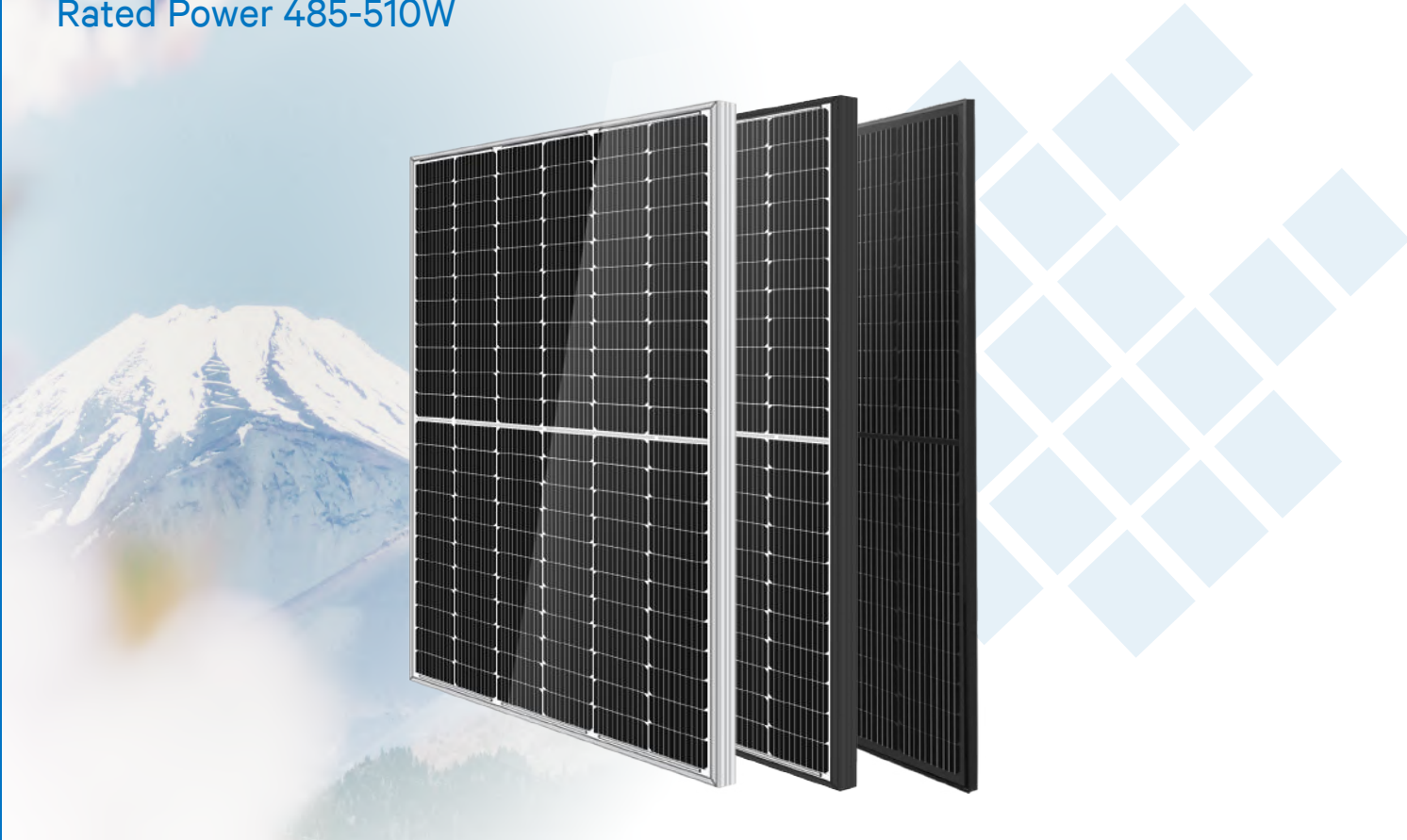
LEAPTON
SOLAR

Monocrystalline

Polycrystalline

LP182*182-M-66-MH

Rated Power 485-510W



MBB Cell

New circuit design, lower internal current, lower internal resistance loss.



Low Light Features

Higher performance under low light environment.



Higher Output Power

Module adopts 132 pcs of 182*182mm half cells, the maximum power can reach 510W.



PID Protection

Ensure the attenuation probability caused by PID phenomenon is minimized.



Harsh Environmental Adaptability

Strict salt spray and ammonia corrosion test by TUV Nord.

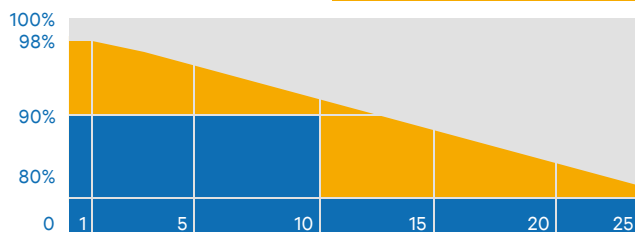


Load Capacity

Mechanical load tests including wind load 2400 Pa and snow load 5400 Pa done by TUV Nord.

Lepton Linear Power Warranty Industry Warranty

0.55% Annual Degradation over 25 years



*J-PEC Product



IEC 61215-2: 2016
IEC 61730-2: 2016

Headquarter : Lepton Energy Co., Ltd.

Tosei Bldg. 6F, 1-2-1 Aioi-cho, Chuo-ku Kobe-shi, Hyogo, 650-0025, Japan

Manufacturer : Lepton Solar (Changshu) Co., Ltd.

No.9 Sunshine Avenue, Changshu City, Jiangsu, China

+81-78-382-3182

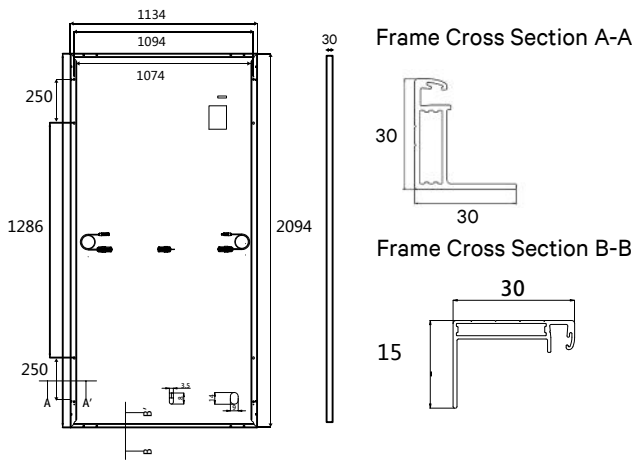
www.leptonenergy.jp

+86-512-88800068

info@leptonenergy.com

www.leptonpv.com

MECHANICAL DIAGRAMS



SPECIFICATIONS

Weight	25.5kg
Dimensions	2094mm*1134mm*30mm
Cell Dimensions	182*182mm
Cell Amount	66*2 pcs
Maximum System Voltage	1500V
Junction Box	IP68
Frame	Aluminum Alloy
Cable	4mm ² , N 1300mm/P 1300mm or customized length
Connector	MC4 compatible
Application Level	Class A

ELECTRICAL PARAMETERS AT STC

Power	485W	490W	495W	500W	505W	510W
Open Circuit Voltage	44.70V	44.90V	45.10V	45.30V	45.50V	45.70V
Short Circuit Current	13.68A	13.73A	13.78A	13.83A	13.89A	13.94A
Maximum Power Voltage	37.20V	37.40V	37.60V	37.80V	38.00V	38.20V
Maximum Power Current	13.04A	13.10A	13.16A	13.22A	13.28A	13.34A
Module Efficiency	20.42%	20.64%	20.85%	21.06%	21.27%	21.48%

* Under Standard Test Conditions (STC) of irradiance of 1000 W/m², spectrum AM 1.5 and cell temperature of 25°C.

ELECTRICAL PARAMETERS AT NMOT

Power	357W	360W	364W	368W	372W	375W
Open Circuit Voltage	41.70V	41.90V	42.10V	42.30V	42.50V	42.70V
Short Circuit Current	11.02A	11.07A	11.12A	11.17A	11.22A	11.27A
Maximum Power Voltage	34.60V	34.80V	35.00V	35.20V	35.40V	35.60V
Maximum Power Current	10.32A	10.35A	10.40A	10.45A	10.51A	10.53A
Module Efficiency	15.03%	15.16%	15.33%	15.50%	15.67%	15.80%

* Under Nominal Module Operating Temperature (NMOT), irradiance of 800 W/m², spectrum AM 1.5, ambient temperature 20°C, wind speed 1 m/s.

TEMPERATURE CHARACTERISTICS

NMOT	41±3°C	Temp Coefficient of ISC	+0.05%/°C
Temp Coefficient of VOC	-0.28%/°C	Temp Coefficient of Pmax	-0.36%/°C

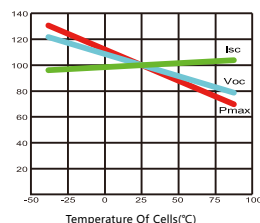
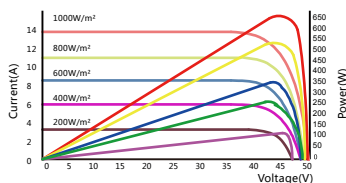
PACKING CONFIGURATION

Modules/Pallet	36 Pieces	Modules/40'Container	792 Pieces
Packing Description	22 Pallets, Total=(36+36)x11=792 Pieces		

CHARACTERISTICS

LP182*182-M-66-MH-485W

LP182*182-M-66-MH-485W



MAXIMUM RATING

Output Tolerance	0~+5W
Operating Temperature	-40°C~+85°C
Wind Load/Snow Load	2400pa/5400pa
Fuse Current	25A



Headquarter : Leapton Energy Co., Ltd.

☑ Tosei Bldg. 6F, 1-2-1 Aioi-cho, Chuo-ku Kobe-shi, Hyogo, 650-0025, Japan

☎ +81-78-382-3182

🌐 www.leaptonenergy.jp

Manufacturer : Leapton Solar (Changshu) Co., Ltd.

☑ No.9, Sunshine Avenue, Changshu City, Jiangsu, China

☎ +86-512-88800068

✉ info@leaptonenergy.com

🌐 www.leaptonpv.com